

Spiral, Flat-End 2 Flute Down-Cut



This bit is used when creating dadoes without machine marks.

Tool No.	Cutting Dia.	Cutting Length	Shank Dia.	Overall Length	Price
9681	1/4"	3/8"	1/4"	2-1/2"	\$22.03
9685	1/4"	1"	1/4"	2-1/2"	\$18.70
9689	1/4"	1-1/4"	1/4"	2-1/2"	\$18.80
9682	1/4"	1-1/4"	1/4"	3-1/2"	\$31.97
9683	3/8"	1/2"	3/8"	2-1/2"	\$27.77
9285	3/8"	1"	3/8"	3"	\$24.98
9687	3/8"	1-1/4"	3/8"	3"	\$26.45
9684	1/2"	1-1/4"	1/2"	3"	\$42.77
9287	1/2"	1-1/2"	1/2"	3-1/2"	\$50.83
9686	1/2"	1-5/8"	1/2"	3-1/2"	\$47.13
9688	1/2"	2-1/4"	1/2"	4"	\$50.63

2-Bit Flat End Spiral Set



Tool No.: 9680 Price: \$48.14

This package comes with 2 Flat End Spiral bits - 9635, 9682 at 5% discounted price.

Spiral, Flat-End 2 Flute Up-Cut



This bit is used when creating dadoes without machine marks.

Tool No.	Cutting Dia.	Cutting Length	Shank Dia.	Overall Length	Price
9631	1/8"	1/2"	1/4"	2"	\$16.23
9635	1/4"	1"	1/4"	2-1/2"	\$18.70
9632	1/4"	1-1/4"	1/4"	2-1/2"	\$18.80
9636	5/16"	1-1/8"	5/16"	3"	\$27.77
9235	3/8"	1"	3/8"	3"	\$24.98
9637	3/8"	1-1/4"	3/8"	3"	\$26.45
9638	1/2"	1-1/4"	1/2"	3"	\$42.77
9237	1/2"	1-1/2"	1/2"	3-1/2"	\$50.83
9639	1/2"	1-5/8"	1/2"	3-1/2"	\$47.13
9630	1/2"	2-1/8"	1/2"	4"	\$50.63

Spiral, Tapered Ball Nose 3 Flute Up-Cut



Tool No.	Cutting Dia.	Cutting Degree	Cutting Height	Shank Dia.	Overall Length	Price
2681	1/16"	3	3/4"	1/4"	3"	\$55.75
2682	1/8"	1	1-1/2"	1/4"	3"	\$52.90
2683	1/8"	3	1"	1/4"	3"	\$48.36
2684	1/8"	3	3"	1/2"	5"	\$110.03
2685	1/8"	5	3/4"	1/4"	3"	\$41.40
2686	1/8"	7	1/2"	1/4"	3"	\$48.95
2687	1/4"	3	2"	1/2"	4"	\$81.52
2688	1/4"	5	1-3/8"	1/2"	4"	\$128.06
2689	1/4"	7	1"	1/2"	4"	\$128.06
2680	1/4"	3	2-1/4"	1/2"	5"	\$94.74

45 Degree Bevel Spiral, 2-Flute



This bit is designed for the Legacy Ornamental milling machine. It creates spiral screws, and chamfered grooves on flat stock. It will work with the following pitches: 1-1/2", 3", 4-1/2", 6", 7-1/2", 9", 12" & 15".

It can be also used as a chamfer, bevel, or flush trim bit.

Tool No.	Small Cutting Dia.	Cutting Height	Shank Dia.	Shank Length	Price
935	1/2"	1-1/2"	1"	1/2" 2"	\$29.13

Ball End, Extended Shank 4" Shank Length, 2-Flute



Designed for the Legacy Ornamental Milling machines. Used to mill spiral or index flutes on contoured spindles i.e. pineapple pattern on a finial.

Note : Shank length is measured from middle of the knife to the end of the shank.

Tool No.	Cutting Dia.	Small Dia.	Shank Dia.	R.	Price
2553	1/2"	1/4"	1/2"	1/4"	\$31.76
2554	5/8"	5/16"	1/2"	5/16"	\$36.36
2556	3/4"	3/8"	1/2"	3/8"	\$43.42

Bevel - 2-Flute, 1/2" Shank Dia.



Tool No.	Cutting Degree	Cutting Height	Small Dia.	Overall Dia.	Overall Length	Price
941	25	1-1/4"	5/8"	1 11/16"	3-1/4"	\$28.27

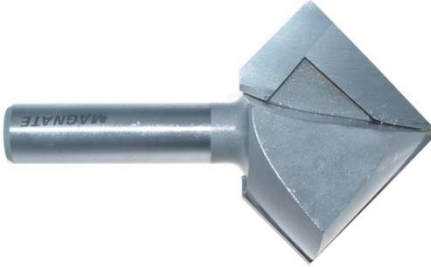
Bird Mouth (Bird Beak) 12-Sided 1/2" Shank 2-Flute



These 30 & 60 degree Bird Mouth bits allow you to easily glue up 12-sided hollow columns. They create a nesting joint that is stronger and easier to glue up without shifting than the traditional miter joint. Material thickness can be up to 2" thick, allowing for deep cut profiles such as turnings, fluting, and spirals on the Legacy Ornamental Mill.

Tool No.	Long Diagonal Edge	Cutting Height	Shank Dia.	Overall Dia.	Small Dia.	Price
5481	1	1-1/8"	1/2"	1-9/16"	1/8"	\$26.32
5482	1-1/2	1-5/8"	1/2"	1-3/4"	1/8"	\$42.76
5483	2	2-1/8"	1/2"	2-1/8"	1/8"	\$57.07

Bird Mouth (Bird Beak), 8-Sided 1/2" Shank 2-Flute



These 45 degree Bird Mouth bits allow you to easily glue up 8-sided hollow columns. They create a nesting joint that is stronger and easier to glue up without shifting than the traditional miter joint. Material thickness can be up to 2" thick, allowing for deep cut profiles such as turnings, fluting, and spirals on the Legacy Ornamental Mill.

Tool No.	Long Diagonal Edge	Cutting Height	Overall Dia.	Small Dia.	Price
5461	1	1-1/8"	1.539"	1/8"	\$28.52
5462	1-1/2'	1-5/8"	1.857"	1/8"	\$45.29
5463	2	2-1/8"	2-1/8"	1/8"	\$62.27

Brick Molding, 2-Flute



Designed for the Legacy Ornamental Mill to make rosettes (as seen on the wainscot project of Legacy demo video) and a decorative trim. Can also be used for traditional mouldings.

Tool No.	Cutting Dia.	Cutting Height	Shank Dia.	R.	Shank Length	Price
3961	1-1/4"	3/8"	1/2"	0.35"	2"	\$27.16

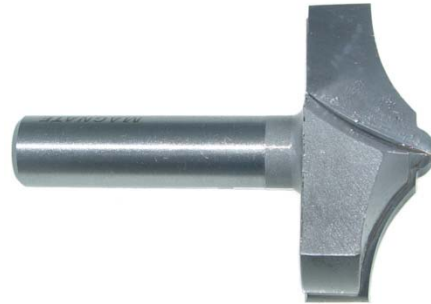
Classic Plunge Cutting, 2-Flute



For decorative edge grooving on cabinet faces and for picture and mirror frames.

Tool No.	R.	Cutting Dia.	Shank Dia.	Cutting Height	Shank Length	Price
3931	3/32"	1/2"	1/4"	3/8"	1-1/4"	\$18.17
3932	5/32"	3/4"	1/4"	1/2"	1-1/4"	\$21.05
3933	5/32"	3/4"	1/2"	1/2"	1-1/2"	\$21.65
3934	15/64"	1"	1/2"	5/8"	1-1/2"	\$27.23
3935	3/8"	1-1/2"	1/2"	3/4"	1-1/2"	\$33.44

Classic Spiral, 2-Flute 1/2" Shank Diameter, 2" Shank Length



Designed for the Legacy Ornamental Mill. A cross between the classic plunge and the barley twist bit. Creates a more stylized bead and cove or a beautiful single start spiral.

Can also be used to create a decorative groove with a half-rounded bottom.

Tool No.	Cutting Dia.	R.	Price
3951	1"	1/2" + 3/32"	\$40.49
3954	1-1/2"	3/4" + 9/64"	\$46.68
3952	2"	1" + 3/16"	\$53.08
3953	3"	1-1/2" + 9/32"	\$71.81

3-Bit Classic Spiral Set - 3950



Tool No.: 3950

Price: \$133.34

This package comes with 3 Classic Spiral bits - 3951, 3952, 3953 at 15% discounted price.

Classical Ogee Plunge, 2-Flute



This bit is designed for the Legacy to create the classic ogee shape in a plunge style cut.

Tool No.	Cutting Dia.	Cutting Height	Shank Dia.	R.	Shank Length	Price
3674	2"	3/4"	1/2"	1/4"	2"	\$47.62

Combination Rope Molding, 2-Flute 1/2" Shank Diameter, 2" Shank Length



Designed for the Legacy Ornamental Mill. #7521 (1st Cut) and #7522 (2nd cut) are used conjunctionally to create 4" diameter rope molding profiles while #7524 and #7525 are used for 5" diameter rope molding; #7527 and #7528 for 6" diameter rope molding.

Tool No.	Cutting Dia.	R.	Profile Height	Price
7521	2"	4-1/4"	1/2"	\$52.14
7522	2"	4-1/4"	0.1193	\$48.84
7524	2-1/2"	5-5/16"	5/8"	\$60.73
7525	2-1/2"	5-5/16"	0.1492"	\$57.41
7527	3"	6-3/8"	3/4"	\$72.90
7528	3"	6-3/8"	0.179"	\$68.64

Cove & Bead Plunge, 2-Flute 1/4" Shank Diameter, 1-1/4" Shank Length



Features an extra 1/2" wide cutter at bottom for fast and clean plunge.

Tool No.	R. (Bead, Cove)	Cutting Height	Cutting Dia.	Price
3641	1/8", 1/8"	7/16"	1"	\$19.45
3642	3/16", 3/16"	9/16"	1-1/4"	\$21.69

Deep Classic Point Set - 7530



Tool No.: 7530 Price: \$134.60

This package comes with 3 Deep Classic Point bits - 7531, 7532, 7533 at 15% discounted price.

Double Bead Point Plunge, 2-Flute



These bits create double bead profiles for decorative edges and bead & cove details. The above illustration depicts a wood column milled by the Legacy Ornamental Milling machines.

Tool No.	R.	Cutting Dia.	Shank Dia.	Shank Length	Price
3481	5/16"	1"	1/2"	2"	\$34.17
3484	9/16"	1-1/2"	1/2"	2"	\$41.23
3482	5/8"	2"	1/2"	2"	\$50.01

Double Bead Point Plunge Set - 3480



Tool No.: 3480 Price: \$102.77

This package comes with 3 Double Bead Point Plunge bits - 3841, 3842, 3844 at 15% discounted price.

Face-Inlay Extended Shank, 2-Flute



It is designed to work with Legacy Ornamental Milling machines. Used for inlaying wood veneer, and other materials i.e. brass on either spindle stock up to 8" in diameter, or flat stock up to 4" wide that has a curved profile i.e. bow front drawer.

Its extended shank allows milling on the side of a larger diameter material while following a curved profile.

5" Shank length is measured from the middle of the knife to the end of the shank.

Tool No.	Cutting Height	Shank Length	Shank Dia.	Overall Dia.	Price
1171	1/8"	5"	1/2"	7/8"	\$22.41
1173	1/4"	5"	1/2"	7/8"	\$25.30

Fluting Extended Shank, 2-Flute

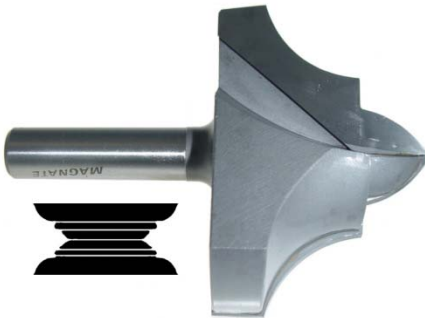


Designed for Legacy. These bits are for milling fluted columns and spindles up to 8 in diameter. Extended shaft allows for milling on the side of a larger diameter while following a curved profile.

Note : 5" shank length is measured from middle of the knife to the end of the shank.

Tool No.	Flute Height	Shank Dia.	Shank Length	R.	Bearing	Price
6053	3/16"	1/2"	5"	3/32"	BR-05	\$36.64
6051	1/4"	1/2"	5"	1/8"	BR-05	\$39.19
6054	3/8"	1/2"	5"	3/16"	BR-05	\$43.91
6052	1/2"	1/2"	5"	1/4"	BR-05	\$48.62
6056	5/8"	1/2"	5"	5/16"	BR-05	\$53.88
6058	3/4"	1/2"	5"	3/8"	BR-05	\$58.58

Deep Classic Point, 2-Flute



Designed for the Legacy Ornamental Mill. These bits are similar to our Classic Plunge Cutting bits except that they have a deep point instead of a round tip. They create decorative bead and cove edge details. The illustration depicts a wood column milled by the Legacy using these bits.

Tool No.	R.	Cutting Dia.	Shank Dia.	Cutting Height	Shank Length	Price
7536	3/16"	3/4"	1/2"	5/8"	2"	\$32.14
7531	1/4"	1"	1/2"	3/4"	2"	\$41.42
7534	3/8"	1-1/2"	1/2"	1"	2"	\$47.78
7532	1/2"	2"	1/2"	1-3/8"	2"	\$53.59
7533	3/4"	3"	1/2"	2"	2"	\$71.98

Horizontal Crown Molding, 2-Flute



This bit can also be used with the Legacy Ornamental Mill and/or overhead router to create linear mouldings. It can be used to create turnings between centers on the Legacy Ornamental Mill.

Tool No.	Cutting Dia.	Cove Depth	Cutting Height	Shank Dia.	R.	Price
5561	1-3/4"	5/16"	3/8"	1/4"	1-1/2"	\$34.24
5563	1-3/4"	5/16"	3/8"	1/2"	1-1/2"	\$36.74
5562	2"	3/8"	5/8"	1/2"	1-19/32"	\$38.15
5564	2-1/8"	3/8"	5/8"	1/2"	1-5/8"	\$40.21
5566	2-1/4"	3/8"	5/8"	1/2"	1-7/8"	\$42.72
5565	2-1/2"	3/8"	5/8"	1/2"	2-1/4"	\$44.32
5567	2-3/4"	3/8"	5/8"	1/2"	2-3/4"	\$51.92
5568	3"	7/16"	11/16"	1/2"	3-3/16"	\$60.51

Large Cove Classic Plunge, 2-Flute 1/2" Shank Diameter, 2" Shank Length



Tool No.	Cutting Dia.	Profile Height	R. (Bead, Cove)	Price
3941	1"	1/4"	1/8", 1/2"	\$36.18
3944	1-1/2"	3/8"	3/16", 3/4"	\$44.56
3942	2"	1/2"	1/4", 1"	\$52.22

Pattern Extended Shank, 2-Flute



Originally designed for the Legacy Ornamental Milling machine, this bit allows you to follow a template when milling a contoured profile. It works on turnings up to 10" in diameter, square turnings up to 5", and square or flat stock up to 5" thick. The router follows the template as you make approximately 1/4" deep cuts for 2 to 3 passes. The bearing will follow the previous cut and support the router bit to eliminate chatter. This bit can also be used in a traditional router table like a pattern cutting router bit.

4-1/2" shank length is measured from middle of the knife to the end of the shank.

Tool No.	Cutting Dia.	Cutting Length	Shank Dia.	Shank Length	Bearing	Price
7621	1/2"	1/2"	1/2"	4-1/2"	BR-04	\$29.19
7623	3/4"	3/4"	1/2"	4-1/2"	BR-09	\$31.30

Plunge Button, 2-Flute



Designed for the Legacy Ornamental Milling machines. Plunge to mill buttons and fine details on flat mouldings and/or around the circumference of a spindle or leg. Adds just the right touch for those details that give style to any project.

Tool No.	Cutting Dia.	Button Dia.	Shank Dia.	R.	Shank Length	Price
358	3/8"	1/4"	1/4"	1/8"	1-3/8"	\$17.42
350	1/2"	3/8"	1/2"	1/4"	2"	\$19.59
351	5/8"	5/16"	1/2"	3/16"	2"	\$21.97
352	1"	1/2"	1/2"	3/10"	2"	\$26.99
353	5/8"	1/2"	1/2"	3/10"	2"	\$24.35

Plunge Roundover with Radius, 2-Flute 1/2" Shank Diameter, 2" Shank Length



This bit can be also used for the Legacy Ornamental Mill. Great for milling 2" and 3" diameter balls on posts or large beads on column bases. Can also be used for large diameter rope columns with a very pronounced rope design.

Tool No.	Cutting Dia.	R.	Price
7592	2"	1" + 1/16"	\$44.29
7593	3"	1-1/2" + 1/8"	\$65.68

Provincial Plunge, 2-Flute 1/2" Shank Diameter, 2" Cutting Diameter



This bit is designed for the Legacy to create a plunge version of French Provincial (without bearing)

Tool No.	Cutting Length	R.	Shank Length	Price
3654	7/8"	1/2" + 1" + 1/4"	2"	\$48.00

Reeding Extended Shank, 2-Flute 5" Shank Length



Designed for the Legacy Ornamental machines..

Note : 5" shank length is measured from middle of the knife to the end of the shank.

Tool No.	Bead Height	Cutting Height	R.	Shank Dia.	Price
7696	1/4"	1"	1/8"	1/2"	\$39.57
7691	3/8"	1-1/8"	3/16"	1/2"	\$43.23
7692	1/2"	1-1/4"	1/4"	1/2"	\$49.13
7693	3/4"	1-1/2"	3/8"	1/2"	\$55.06
7697	1"	1-3/4"	1/2"	1/2"	\$62.27

Reeding Extended Shank with Bearing 5" Shank Length, 2-Flute



Designed for the Legacy. These bits are for milling reeding columns and spindles up to 8" in diameter. Extended shaft allow for milling on the side of a larger diameter while following a curved profile.

Note : 5" shank length is measured from middle of the knife to the end of the shank.

Tool No.	Bead Height	Shank Dia.	R.	Bearing	Price
7678	3/16"	1/2"	3/32"	BR-05	\$36.55
7676	1/4"	1/2"	1/8"	BR-05	\$39.03
7671	3/8"	1/2"	3/16"	BR-05	\$42.69
7672	1/2"	1/2"	1/4"	BR-05	\$48.72
7675	5/8"	1/2"	5/16"	BR-05	\$51.49
7673	3/4"	1/2"	3/8"	BR-05	\$55.24

Rope Molding, 2-Flute



Designed for the Legacy Ornamental Mill. Used to mill rope and pillowed diamond designs on spindle and columns up to 10" diameter. These bits can also be used for other unusual groove/bead forming applications i.e. flat mouldings or indexed rosettes.

#7584, #7585 and #7586 can be used in conjunction with the Combination Barley Twist bits to create big diameter barley twist profiles.

Tool No.	Cutting Dia.	Shank Length	Shank Dia.	R.	Profile Height	Price
7588	3/4"	2"	1/2"	51/64"	3/32"	\$26.72
7581	1"	2"	1/2"	1-1/16"	1/8"	\$31.21
7582	1-1/2"	2"	1/2"	1-19/32"	3/16"	\$39.79
7584	2"	2"	1/2"	2-1/8"	1/4"	\$48.60
7585	2-1/2"	2"	1/2"	2-21/32"	5/16"	\$59.65
7586	3"	2"	1/2"	3-3/16"	3/8"	\$71.74

3-Bit Rope Molding Set - 7570



Tool No.: 7570 Price: \$94.78

This package comes with 3 Rope Molding bits - 7581, 7582, 7584 at 15% discounted price.

3-Bit Rope Molding Set - 7580



Tool No.: 7580 Price: \$149.88

This package comes with 3 Rope Molding bits - 7584, 7585, 7586 at 15% discounted price.

7-Bit Rope Molding Set - 7579



Tool No.: 7579 Price: \$236.05

This package comes with 7 Rope Molding bits - 7581, 7582, 7584, 7585, 7586, 7588, 7591 at 15% discounted price.

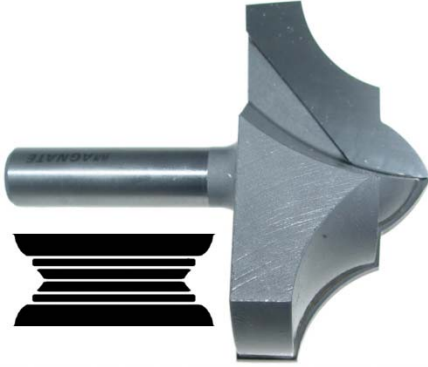
Rope Pen, 2-Flute



Designed for the Legacy. This bit creates rope pens using a standard 7mm twist pen kit. The above illustration depicts a wood pen milled by the Legacy Ornamental Mill using this bit.

Tool No.	R.	Cutting Dia.	Shank Dia.	Cutting Height	Shank Length	Price
7597	0.65"	1/2"	1/4"	3/8"	1-1/2"	\$19.69
7591	0.65"	1/2"	1/2"	3/8"	2"	\$19.94

Shallow Classic Point, 2-Flute



Designed for the Legacy Ornamental Mill. These bits are similar to our Classic Plunge Cutting bits except that they have a shallow point instead of a round tip. They create decorative bead and cove edge details. The illustration depicts a wood column milled by the Legacy using these bits.

Tool No.	R.	Cutting Dia.	Shank Dia.	Cutting Height	Shank Length	Price
7566	3/16"	3/4"	1/2"	3/8"	2"	\$31.75
7561	1/4"	1"	1/2"	1/2"	2"	\$36.65
7564	3/8"	1-1/2"	1/2"	3/4"	2"	\$43.80
7562	1/2"	2"	1/2"	1"	2"	\$49.81
7563	3/4"	3"	1/2"	1-1/2"	2"	\$65.49

Shallow Classic Point Set - 7560



Tool No.: 7560

Price: \$122.47

This package comes with 3 Shallow Classic Point bits - 7561, 7562, 7563 at 15% discounted price.

Shallow Flute Extended Shank 2-Flute



Designed for the Legacy Ornamental Milling machines. These bits are for milling fluted columns and spindles up to 8" in diameter. Extended shaft allow for milling on the side of a larger diameter while following a curved profile.

Note : 5" shank length is measured from middle of the knife to the end of the shank.

Tool No.	Flute Height	Shank Dia.	Shank Length	Shank Dia.	Overall Dia.	Bearing	Price
2451	1/4"	1/2"	5"	13/16"	BR-05	\$34.36	
2453	3/8"	1/2"	5"	7/8"	BR-05	\$36.70	
2455	1/2"	1/2"	5"	7/8"	BR-05	\$41.45	
2456	5/8"	1/2"	5"	15/16"	BR-05	\$46.19	
2457	3/4"	1/2"	5"	1"	BR-05	\$51.56	
2459	1"	1/2"	5"	1"	BR-05	\$54.89	

Side V-Grooving Extended Shank 2-Flute



Designed for the Legacy Ornamental Milling machines. These bits are for milling v style flutes on spindles up to 8" in diameter or for cutting v style flutes or chamfer cuts on the face or a curved piece of flat stock i.e. bow front drawer.

Comes with a BR-05 replacement bearing.
5" Shank length is measured from the middle of the knife to the end of the shank.

Tool No.	Degree	Cutting Height	Shank Dia.	Shank Length	Shank Dia.	Overall Dia.	Price
751	90	1/4"	1/2"	5"	7/8"	\$31.89	
753	90	1/2"	1/2"	5"	1-1/8"	\$34.32	
756	90	3/4"	1/2"	5"	1-3/8"	\$36.88	

Side V-Grooving, 2-Flute



This side cutting v-grooving router bit is designed to make clean v-shaped grooves and chamfer edges. The bearing allows the bit to follow template whichever is applicable.

Comes with a Magnate BR-05 bearing.

Tool No.	Degree	Cutting Height	Shank Dia.	Shank Length	Shank Dia.	Overall Dia.	Price
771	90	1/4"	1/4"	1-1/2"	7/8"	\$21.04	
773	90	1/2"	1/4"	1-1/2"	1-1/8"	\$24.35	
776	90	1/4"	1/2"	2"	7/8"	\$21.35	
778	90	1/2"	1/2"	2"	1-1/8"	\$24.75	
779	90	3/4"	1/2"	2"	1-3/8"	\$28.18	
775	90	1"	1/2"	2"	1-5/8"	\$34.78	

Surface Planing (Bottom Cleaning), 2-Flute



Good for cleaning out dadoes and cutting wide square grooves. Leaves a smooth clean finished surface. Also perfect for milling round, square, or flat stock on the Legacy Ornamental Mill.

Tool No.	Cutting Dia.	Shank Dia.	Cutting Length	Shank Length	Price
2700	3/4"	1/4"	3/8"	1-1/4"	\$16.40
2712	7/8"	1/4"	3/8"	1-1/2"	\$18.67
2713	1"	1/4"	3/8"	1-1/2"	\$21.34
2714	1-1/4"	1/4"	3/8"	1-1/2"	\$24.54
2715	1-1/2"	1/4"	3/8"	1-1/2"	\$25.95
2701	3/4"	1/2"	15/32"	2"	\$16.76
2702	7/8"	1/2"	15/32"	2"	\$18.80
2703	1"	1/2"	15/32"	2"	\$21.52
2723	1-3/16"	1/2"	15/32"	2"	\$23.80
2704	1-1/4"	1/2"	15/32"	2"	\$24.70
2724	1-3/8"	1/2"	15/32"	2"	\$25.40
2705	1-1/2"	1/2"	15/32"	2"	\$26.13
2725	40mm	1/2"	15/32"	2"	\$29.07
2706	2"	1/2"	15/32"	2"	\$38.92
2708	2-1/2"	1/2"	15/32"	2"	\$43.38
2707	2-3/4"	1/2"	15/32"	2"	\$49.69
2709	3"	1/2"	15/32"	2"	\$55.94



Triple Classic Plunge, 2-Flute



Designed for the Legacy Ornamental Mill. Use the profile of the classic plunge cutting bit 3 times for creating decorative edges, bead, and cove details.

Tool No.	Cutting Dia.	Cutting Height	Shank Dia.	R.	Shank Length	Price
3982	2"	7/8"	1/2"	3/16"	2"	\$50.40
3983	3"	1-5/8"	1/2"	5/16"	2"	\$69.89

Barley Twist, 2-Flute



This bit is designed to work with Legacy Ornamental machine to create traditional style barley twist. When combined with a upcut spiral bit they also form a beautiful hollow spiral. Can also be used for general grooving or flat moldings.

Tool No.	Cutting Dia.	Profile Height	Shank Dia.	Shank Length	R.	Price
7557*	3/4"	3/32"	1/4"	1-1/2"	3/32" + 3/8"	\$28.50
7558	3/4"	3/32"	1/2"	2"	3/32" + 3/8"	\$29.40
7551	1"	1/4"	1/2"	2"	1/8" + 1/2"	\$36.10
7554	1-1/2"	3/8"	1/2"	2"	3/16" + 3/4"	\$41.80
7552	2"	1/2"	1/2"	2"	1/4" + 1"	\$49.60
7556	2-1/2"	5/16"	1/2"	2"	5/16" + 1-1/4"	\$58.72
7553	3"	3/4"	1/2"	2"	3/8" + 1-1/2"	\$71.69

* Spiral pen making for Legacy

6-Bit Barley Twist Set - 7559



Tool No.: 7559 Price: \$244.22

This package comes with 6 barley twist bits - 7551, 7552, 7553, 7554, 7556, 7558 at 15% discounted price.

V-Grooving & Carving, 3-Flute



It is designed for professional sign making and lettering.

Tool No.	Degree	Cutting Dia.	Shank Dia.	Cutting Length	Shank Length	Price
767	45	5/8"	1/2"	3/4"	2"	\$23.45
761	60	5/8"	1/4"	5/8"	1-1/4"	\$18.40
763	60	5/8"	1/2"	5/8"	2"	\$19.76

Combination Barley Twist Set - 7540



Tool No.: 7540 Price: \$152.40

This package comes with 3 Combination Barley Twist bits - 7544, 7545, 7546 at 15% discounted price.

Thread Cutting 90-Degree, 2-Flute



This cutter is used to cut internal and external threads i.e. a wooden bolt and nut. The 90 degree angle produces a stronger wooden thread that is less likely to chip out. The depth of cut is 3/16". The 3/8" dimension refers to the size of the V section measured parallel to the shank. Legacy's CCAM software will automatically generate the G Code for both parts.

Tool No.	Cutting Height	Shank Dia.	Shank Length	Overall Dia.	Price
796	3/8"	1/4"	1-1/2"	5/8"	\$18.02

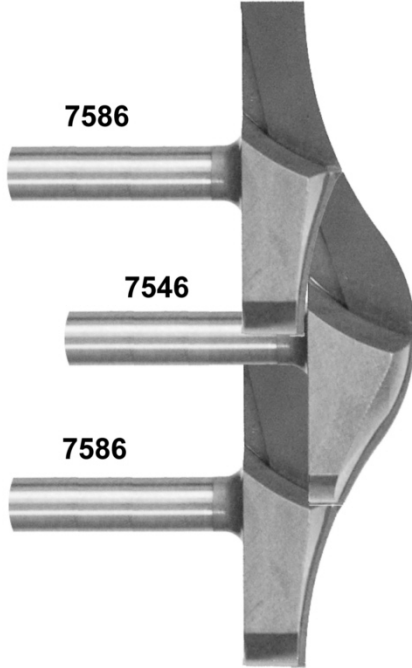
3-Bit Barley Twist Set - 7550



Tool No.: 7550 Price: \$131.32

This package comes with 3 barley twist bits - 7551, 7552, 7553 at 15% discounted price.

Combination Barley Twist, 2-Flute 1/2" Shank Diameter, 2" Shank Length



Designed for the Legacy. These bits are create traditional style barley twist profiles with diameters over 3".

For example, to create a 6" diameter barley twist profile, first start by using a 3" diameter Rope Molding bit # 7586, to make a 2-start rope with 6" pitch. Next, plunge on the top of one of the rope heads to create a cove using the 3" Combination Barley Twist bit #7546. To attain the desired depth, 3-5 passes are required. When completed, the final pass should match up with the edge of the bead on each of the sections of rope.

These bits can be also used separately to form cove detail for turnings or moldings.

Tool No.	Cutting Dia.	R.	Profile Height	Price
7544	2"	0.9167" + 2-1/8"	1/2"	\$52.70
7545	2-1/2"	1.1458" + 2-21/32"	5/8"	\$61.71
7546	3"	1-3/8" + 3-3/16"	3/4"	\$71.77

Steel Router Collet Reducers



This adaptor is designed for use with a 1/2" collet router. It comes with 1" collet height and aflange for easy removal.

Tool No.	Inside Dia.	Outside Dia.	Overall Length	Price
SCK18	1/8"	1/2"	1-1/8"	\$7.88
SCK36	3/16"	1/2"	1-3/16"	\$9.65
SCK14	1/4"	1/2"	1-3/16"	\$7.88
SCK56	5/16"	1/2"	1-3/16"	\$7.88
SCK08	8mm	1/2"	1-3/16"	\$7.88
SCK38	3/8"	1/2"	1-3/16"	\$7.88
SCK10	10mm	1/2"	1-3/16"	\$7.88

7 Degree Dovetail Router Bit For Legacy Ornamental



Designed for making drawer fingers and for French dovetailing. This bit can also be used with the Legacy Ornamental Mill to create unique indexed dovetail slots at 90 or 120 spacing for furniture legs and three-legged pedestals.

Tool No.	Cutting Dia.	Cutting Height	Shank Dia.	Overall Length	Price
467^	5/8"	7/8"	1/2"	2-5/8"	\$12.01
468^	3/4"	7/8"	1/2"	2-5/8"	\$12.74

^ Compatible with Porter-Cable Jig 4210 & 4212
^ Compatible with Inkra and JoinTech dovetail machines

Bowl & Tray Plunge Bits For Legacy Ornamental Mill



This bit is designed to create a flat bottom, two square sides and two bottom radii in only one pass. Ideal for making dishes or serving trays.

Tool No.	R.	Cutting Dia.	Cutting Height	Shank Dia.	Shank Length	Price
S7801	1/4"	3/4"	5/8"	1/2"	1-1/2"	\$23.08
S7802	1/4"	1"	5/8"	1/2"	1-1/2"	\$24.30
S7803	1/4"	1-1/4"	5/8"	1/2"	1-1/2"	\$28.47

Core Box Router Bits For Legacy Ornamental Mill



For use in decorative fluting and sign making. Up shear cutting angle clears chips out fast for accurate and chatter free performance. Can be used with the Legacy Ornamental Mill to cut indexed flutes and covs on spindle stock or parallel flutes on flat stock.

Tool No.	Cutting Dia.	Shank Dia.	Cutting Length	R.	Shank Length	Price
801	1/4"	1/4"	1/4"	1/8"	1-1/4"	\$10.77
802	3/8"	1/4"	3/8"	3/16"	1-1/4"	\$12.09
803	1/2"	1/4"	3/8"	1/4"	1-1/4"	\$14.36
804	5/8"	1/4"	5/8"	5/16"	1-1/4"	\$17.17
805	3/4"	1/2"	5/8"	3/8"	1-1/2"	\$18.85
806	7/8"	1/2"	3/4"	7/16"	1-1/2"	\$20.96
807	1"	1/2"	3/4"	1/2"	2"	\$23.30
812	1-1/8"	1/2"	13/16"	9/16"	2"	\$24.66
809	1-1/4"	1/2"	7/8"	5/8"	2"	\$27.25
814	1-3/8"	1/2"	15/16"	11/16"	2"	\$27.98
810	1-1/2"	1/2"	1"	3/4"	2"	\$32.25
819	1-3/4"	1/2"	1-1/8"	7/8"	2"	\$36.69
808	2"	1/2"	1-1/4"	1"	2"	\$42.48

* for Nevada style gaming table chip trays

Corner Rounding Router Bit For Legacy Ornamental



Tool No.	R.	Cutting Length	Shank Dia.	Overall Dia.	Shank Length	Price
1207	1/4"	7/16"	1/2"	1"	1-1/2"	\$18.15
1210	1/2"	3/4"	1/2"	1-1/2"	1-1/2"	\$24.94



Dovetail Router Bits For Legacy Ornamental Mill



Designed for making drawer fingers and for French dovetailing. This bit can also be used with the Legacy Ornamental Mill to create unique indexed dovetail slots at 90 or 120 spacing for furniture legs and three-legged pedestals.

Tool No.	Cutting Dia.	Cutting Height	Shank Dia.	Overall Length	Price
407^#	1/2"	1/2"	1/2"	2-1/2"	\$11.80
403	5/8"	5/8"	1/2"	2-7/8"	\$12.45
404#	3/4"	3/4"	1/2"	3"	\$13.18
469	3/4"	7/8"	1/2"	2-1/2"	\$13.87
405	7/8"	7/8"	1/2"	3"	\$13.99
406	1"	7/8"	1/2"	3"	\$14.30

* Compatible with Leigh Dovetail

^ Compatible with Inkra, JoinTech Dovetail

Compatible with OmniJig

Plunge Flat Roundover For Legacy Ornamental Mill



When used with the Legacy ornamental machines, these bits make transitions from flat surfaces to beads on round or flat stock, i.e. astragal on columns or table legs.

Tool No.	R.	Small Dia.	Shank Dia.	Cutting Length	Shank Length	Price
1251	3/32"	3/16"	1/4"	5/16"	1-1/4"	\$14.03
1272	1/8"	1/4"	1/2"	3/8"	2"	\$17.02
1282	1/8"	1/2"	1/2"	3/8"	2"	\$18.28
1273	3/16"	1/4"	1/2"	7/16"	2"	\$19.32
1274	1/4"	1/4"	1/2"	1/2"	2"	\$20.25
1284	1/4"	7/16"	1/2"	1/2"	2"	\$23.18
1275	5/16"	1/4"	1/2"	9/16"	2"	\$23.51
1285	5/16"	1/2"	1/2"	1/2"	2"	\$23.25
1276	3/8"	1/4"	1/2"	5/8"	2"	\$25.61
1278	1/2"	1/4"	1/2"	3/4"	2"	\$28.09

Plunge Roundover Bit For Legacy Ornamental Mill



Combination cutters for plunging through boards and for rounding corners as well as edge forming.

Tool No.	R.	Small Dia.	Shank Dia.	Cutting Length	Shank Length	Price
3917	3/16"	1/4"	1/2"	3/8"	1-1/2"	\$16.21
3918	1/4"	1/4"	1/2"	3/8"	1-1/2"	\$19.43
3919	5/16"	1/4"	1/2"	7/16"	1-1/2"	\$21.90
3920	3/8"	1/4"	1/2"	1/2"	1-1/2"	\$24.41
3921	1/2"	3/8"	1/2"	3/4"	1-1/2"	\$27.91
3924	9/16"	1/2"	1/2"	15/16"	1-1/2"	\$30.46
3922	5/8"	1/2"	1/2"	1"	1-1/2"	\$34.38
3923	3/4"	1/2"	1/2"	1-1/8"	1-1/2"	\$39.47
3927	1"	1/2"	1/2"	1-3/8"	1-1/2"	\$46.00

Point Cutting Roundover Bits For Ornamental Mill



These bits can be used with the Legacy Ornamental Mill to create indexed beads and reeds on flat or spindle stock.

Tool No.	R.	Shank Dia.	Cutting Length	Shank Length	Price
7507	1/8"	1/4"	3/8"	1-1/4"	\$13.71
7504	3/16"	1/4"	7/16"	1-1/4"	\$15.16
7503	1/4"	1/4"	1/2"	1-1/4"	\$17.35
7513	5/16"	1/2"	9/16"	2"	\$20.58
7502	3/8"	1/2"	5/8"	2"	\$23.03
7514	7/16"	1/2"	11/16"	2"	\$24.70
7501	1/2"	1/2"	3/4"	2"	\$26.40
7515	9/16"	1/2"	13/16"	2"	\$29.61
7516	5/8"	1/2"	7/8"	2"	\$32.18
7517	3/4"	1/2"	1"	2"	\$36.33

Spiral Router Bits UP For Legacy Ornamental Mill



These bits can be used with the Legacy Ornamental Mill to cut mortises, grooves, and hollow spirals. They can also be used when following a template to mill contoured profiles i.e. Queen Ann legs.

Tool No.	Cutting Dia.	Cutting Length	Shank Dia.	Overall Length	Price
2001	1/8"	1/2"	1/4"	2"	\$16.23
2104	1/4"	3/4"	1/4"	2-1/2"	\$18.70
2004	1/4"	3/4"	1/4"	2-1/2"	\$18.70
2005	1/4"	1"	1/4"	2-1/2"	\$19.14
2025	1/4"	1-1/4"	1/4"	3"	\$24.03
2007	3/8"	1-1/4"	3/8"	3"	\$26.45
2008	3/8"	1-1/4"	1/2"	3"	\$42.77
2010	1/2"	1-5/8"	1/2"	3-1/2"	\$47.13
2011	1/2"	2"	1/2"	4"	\$50.62

Straight Plunge Router Bits For Legacy Ornamental



When used on the Legacy Ornamental Mill these bits can mill grooves and mortises, or mill contoured profiles when following a template, simulating to a copy lathe.

Tool No.	Cutting Dia.	Cutting Length	Shank Dia.	Shank Length	Price
265	1/2"	1"	1/4"	1-1/4"	\$10.32
283	3/8"	1-1/4"	1/2"	1-1/2"	\$10.81
285B	1/2"	2"	1/2"	1-1/2"	\$16.15
295	5/8"	2"	1/2"	1-1/2"	\$19.12
290	1"	1"	1/2"	1-1/2"	\$19.25
293	1-1/2"	1-1/2"	1/2"	1-1/2"	\$24.12

Straight Router Bits For Legacy Ornamental Mill



When used on the Legacy Ornamental Mill these bits can mill grooves and mortises, or mill contoured profiles when following a template, simulating to a copy lathe.

Tool No.	Cutting Dia.	Cutting Length	Shank Dia.	Shank Length	Price
231	1/4"	3/4"	1/2"	1-1/2"	\$8.68
233L	3/8"	1-1/2"	1/2"	2"	\$12.39
234	7/16"	1"	1/2"	1-1/2"	\$9.37
235B	1/2"	2"	1/2"	2"	\$15.91
237L	5/8"	2"	1/2"	1-1/2"	\$16.50
239	7/8"	1-1/4"	1/2"	1-1/2"	\$16.73
241	1"	2"	1/2"	2"	\$20.43

V-Grooving & Carving 3-Flute Bit For Legacy Ornamental Mill



It is designed for professional sign making and lettering.

Tool No.	Degree	Cutting Dia.	Shank Dia.	Cutting Length	Shank Length	Price
767	45	5/8"	1/2"	3/4"	2"	\$23.45
763	60	5/8"	1/2"	5/8"	2"	\$19.76

V-Grooving Router Bits For Legacy Ornamental Mill



These bits make both shallow and deep grooves in solid wood and composition boards. Can be used for decorative veining of drawers and cabinets. Also good for sign lettering.

When used with the Legacy Ornamental Mill, this bit can be used to chamfer square to round transitions. It can also be used to mill a diamond pattern on flat or spindle stock.

Tool No.	Degree	Cutting Dia.	Shank Dia.	Cutting Length	Shank Length	Price
717	60	1"	1/2"	1-3/32"	1-1/2"	\$20.80
704	90	3/4"	1/2"	5/8"	1-1/2"	\$16.37
706	90	1"	1/2"	3/4"	2"	\$23.13
708	90	1-1/2"	1/2"	1"	2"	\$30.42

3 Leg Pedestal Set



Tool No.: RBPEDESTAL Price: \$84.25

This set includes a total of 4 router bits as follows: 1210, 468, 285B, 708. This set of router bit includes those used in the milling of Legacy's 3-Leg Pedestal Display Stand. They are demonstrated in the class titled 3-Leg Pedestal 1.

Contemporary Bed Set



Tool No.: RBPBED Price: \$180.60

This set includes a total of 6 router bits as follows: 5567, 7671, 2025, 285B, 290, 708. This Contemporary Bed Bit Set consists of those router bits used in creating the 4-poster bed that Legacy designed. The construction of this bed is demonstrated at Legacy's Woodworking academy web page in the class titled: "4-Poster Bed 1".

Bowl Class Set



Tool No.: RBPBOWL01 Price: \$135.67

This set includes a total of 4 router bits as follows: 7592, 241, 808, S7803. This set of router bits is used to create varying accents when milling various size bowls and trays. Complete router bit set for the 8" Bowl project. You will also need a 2704 surface planning bit, if you do not already have one.

Display Table Set



Tool No.: RBDISPLAYTABLE Price: \$151.41

This set includes a total of 6 router bits as follows: 2105, 1278, 706, 801, 2704, 3954

Fast Start CNC Set



Tool No.: RBFASTSTARTCNC Price: \$253.63

This set includes a total of 9 router bits as follows: 2704, 7581, 7551, 3952, 810, 706, 717, 285B, 2104.

Cabinet Maker Set



Tool No.: RBCABINETMAKER Price: \$241.75

This set includes totally 5 router bits, 1 boring bit and 1 ER32 CNC collet as following: 9492, 2123, 9521, 2152, 2246, 1025, ER3210.

Fast Start Set



Tool No.: RBFASTSTART Price: \$108.99

This set includes a total of 3 router bits as follows: 2704, 3952, 7581. This is the recommended starter set for the Legacy Ornamental Mill. These three router bits are used to teach the basics of turning, indexing and spiraling in the Fast Start Training DVD. These are very common router bits and that frequently used with the Ornamental Mill.

Flat Stock CNC Set



Tool No.: RBFLATSTOCKCNC Price: \$207.59

This set includes a total of 7 bits as follows: 2104, 285B, 2704, 717, 706, 2681, 2683. This set is the recommended as one of the starter sets for the Legacy Ornamental Mill users.

Hollow Spiral Candlestick Set



Tool No.: RBPCANDLE Price: \$129.06

This includes a total of 5 bits as follows: 7552, 810, 7503, 7507, 285B. This set of bits is used to create the large candlestick featured in Legacy's online class titled "Candlestick 1" that is part of the "Legacy Woodworking Academy" curriculum. Note: You will also need a 1/4" Collet reducer (Tool No. SCK14), and a bottom cleaning bit (Tool No. 2704).

Panel Processing Set



Tool No.: RBPANEL Price: \$639.21

This set includes a total of 12 solid carbide bits as follows: 9492, 2123, 9521, 2130, 2140, 4350, 2152, 2162, 2240, 2242, 2246, 7972.

Professional CNC Set



Tool No.: RBCNC Price: \$652.30

This set includes a total of 21 router bits as follows: 2704 x 2 pcs, 285B x 2 pcs, 2104, 706, 717, 7581, 7584, 7551, 7552, 3952, 7503, 7501, 1274, 1278, 807, 810, 808, 2681, 2683.

Professional Set



Tool No.: RBPROFESSIONAL Price: \$500.42

This set includes a total of 16 router bits as follows: 2704, 3952, 7581, 7582, 7554, 290, 285B, 283, 708, 807, 810, 3935, 351, 5567, 7676, 7623. This set of router bit includes 16 of the most commonly used router bits for the Legacy Ornamental Mill. This set of bits will allow you to create a wide variety of turnings featuring beads, coves, rope twist, barley twist, hollow spiral, diamond, pillowed diamond, Joinery, and contoured profiles. It will also allow you to create simple and specialty moldings featuring beads, coves, buttons, denticulation, and rope inlay. There are also bits for rough and finish cuts for surfacing planing and dimension turning or flat stock.

Wall Clock Set



Tool No.: RBPWALLCLOCK Price: \$291.54

This set includes : Tool # 3961, 805, 807, 808, 810, 1207, 7502, 7503, 7564, 2104, 265, 285B, SCK14

dynaGlide Plus, Tri-Bountry Dry-Lubricant & Cleaning Conditioner



WARNING: Reproductive Harm
www.P65Warnings.ca.gov

Use on Woodworking & Metalworking Tools, any Metals.

dynaGlide Plus will not stain, discolor, or transfer. dynaGLIDE penetrates instantly and dries within minutes, leaving behind extremely tough pressure film. Can be used for storage of tools, all router bearings, table beds, scroll-saw, ban-saw, cutters, lathe tools, all cutting /drilling/routing blades, etc. Will not stain wood or other material.

Replaces all other lubricants for any purpose.

Note : Ground Shipping Only

Tool No.	Bottle	Price
A12WT	10 oz	\$15.95

